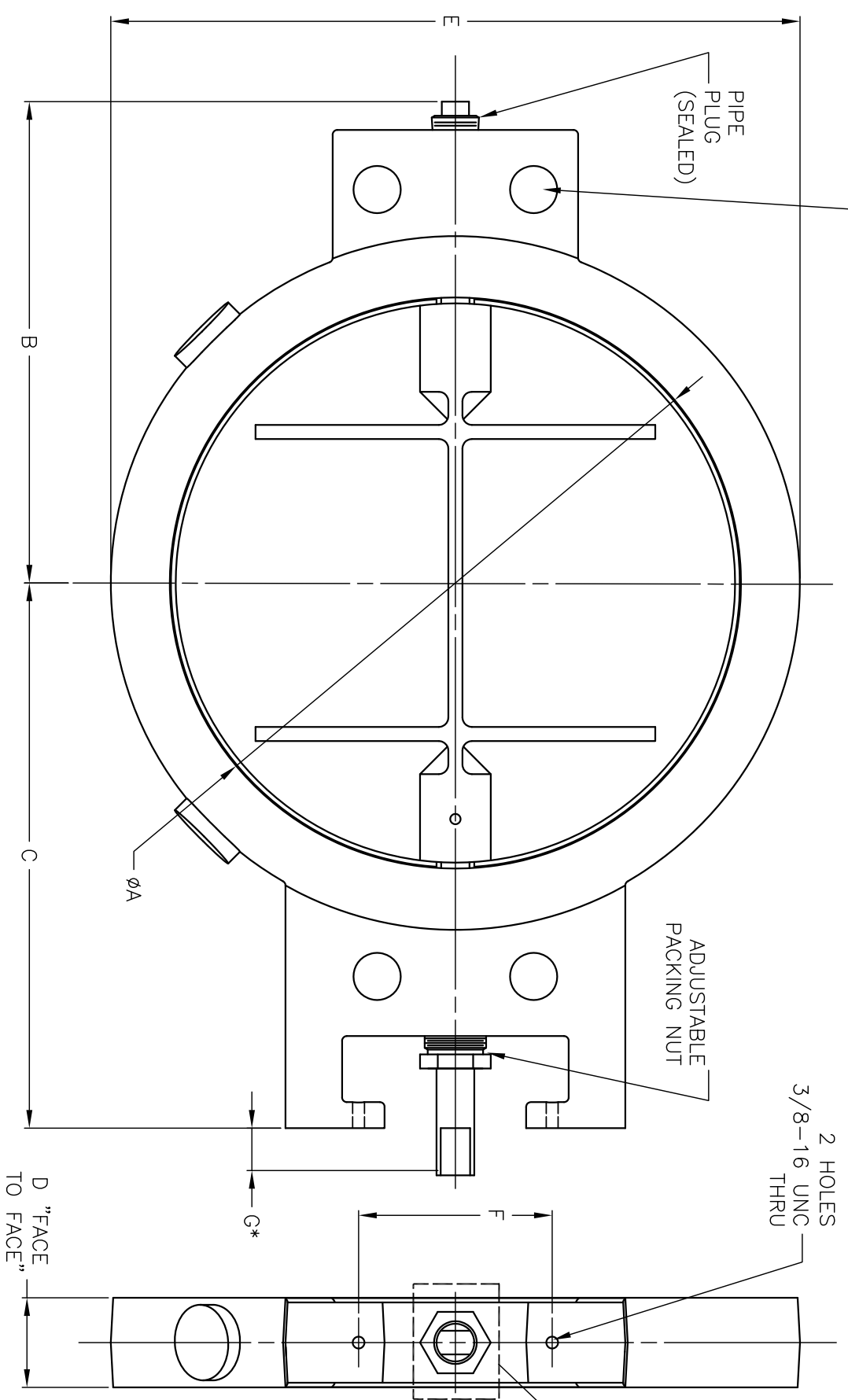
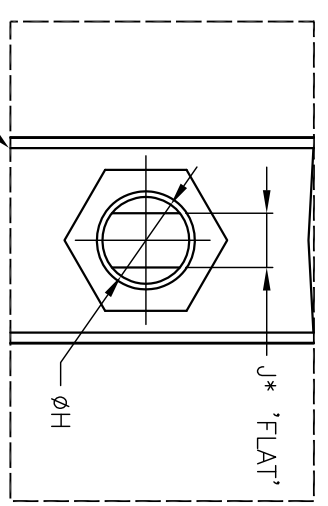


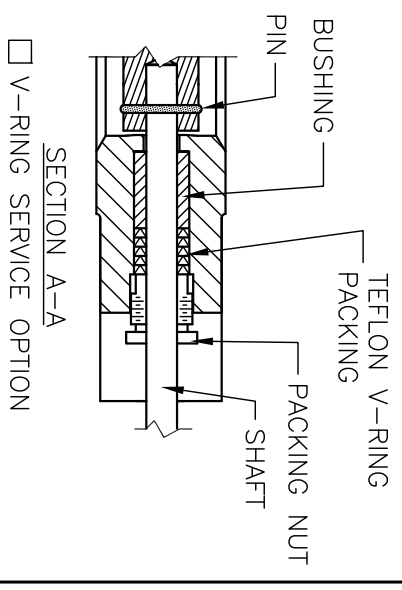
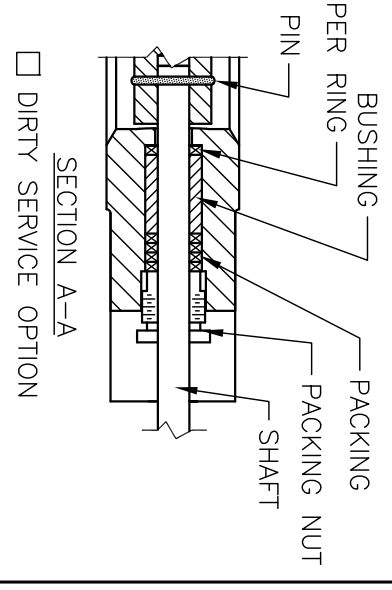
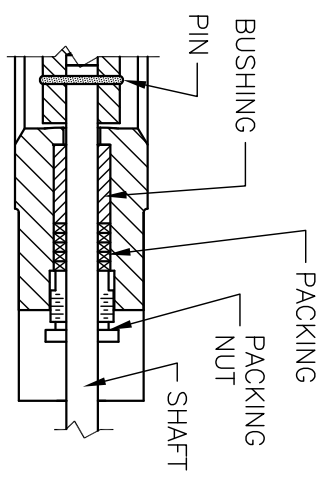
(4) ALIGNMENT HOLES  
MATCH 125/150 LB  
ANSI FLANGE DRILLING



2 HOLES  
3/8-16 UNC  
THRU



MATERIALS OF CONSTRUCTION	
XXX=	
BODY:	
DISC:	
SHAFT:	
BUSHING:	
PACKING:	
PACKING NUT:	
PIN:	



NOTES:

1. VALVE SHAFTS TO BE MOUNTED IN THE HORIZONTAL PLANE.

VALVE RELATED DIMENSIONS

SIZE	ASSEMBLY NO.	A	B	C	D	E	F	H	STANDARD SHAFT FLAT G*	J*
16	011-119-XXX	15.13	12.75	14.50	2.38	18.25	5.13	1.000	1.25	.625
18	011-129-XXX	17.13	13.88	15.50	2.38	20.75	5.13	1.000	1.25	.625
20	011-139-XXX	19.13	14.88	16.50	2.38	22.75	5.13	1.000	1.25	.625
22	011-149-XXX	21.13	16.50	17.50	2.38	25.00	5.13	1.000	1.25	.625
24	011-159-XXX	23.13	17.25	18.50	2.38	27.00	5.13	1.000	1.25	.625

\* LENGTH AND FLAT MAY BE VARIED TO MATCH ACTUATOR AND BRACKET REQUIREMENTS.  
IF "G" AND "J" DIMENSIONS VARIES FROM TABLED STANDARD CONSTRUCTION,

B	REDRAWN ON CAD	529	2/27/04	SRT
REV.	DESCRIPTION	NO.	DATE	BY

DIMENSIONS IN INCHES

**PPDC**  
 Process Development & Control, Inc.  
 Imperial, PA

DR: SRT DATE: 2/27/2004  
 CHK: RNK DATE: 3/1/2004  
 APPR: DATE:

MEDIUM DUTY SERIES 01 SWING THRU BUTTERFLY  
 VALVE SIZES 16"-24" W/ FLATTED POWER END SHAFT

SCALE: 1=4 DWG. NO.: 011-009-002 REV. B

ORDER RELATED INFORMATION  
 CUSTOMER NAME: \_\_\_\_\_  
 P.O. NO.: \_\_\_\_\_  
 PDC ORDER NO.: \_\_\_\_\_  
 TAG: \_\_\_\_\_  
 ASSEMBLY NO.: \_\_\_\_\_  
 CERTIFIED BY: \_\_\_\_\_  
 DATE: \_\_\_\_\_