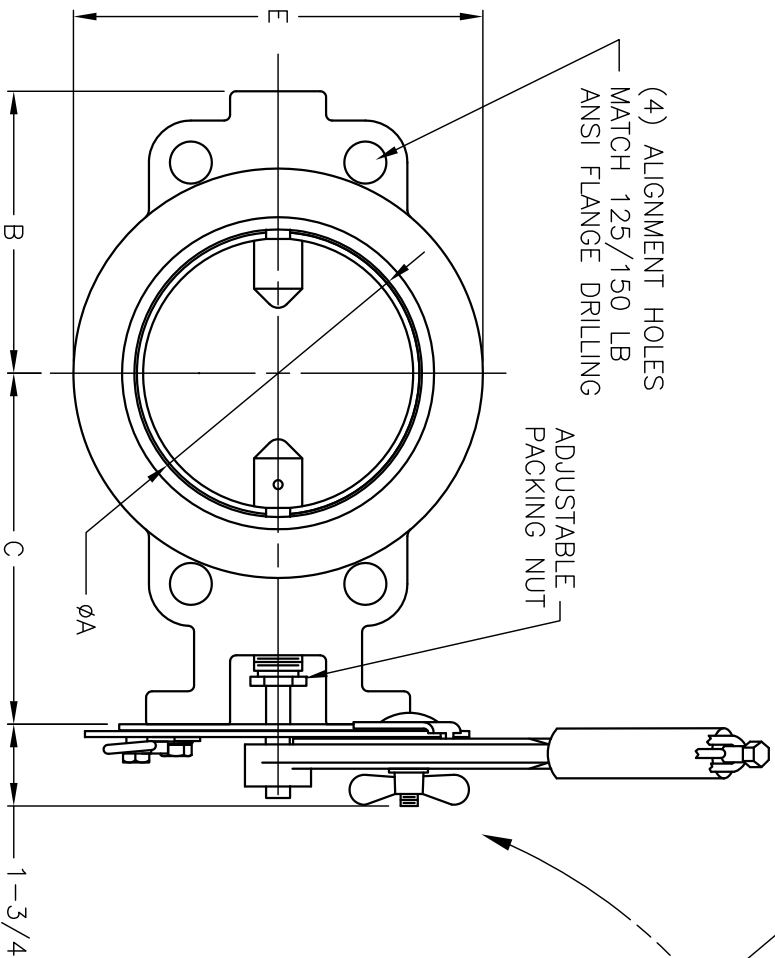


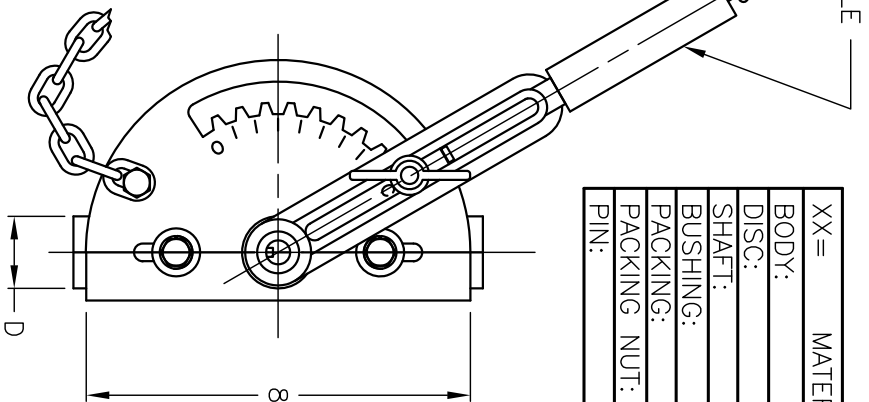
NOTES:
1. VALVE SHAFTS TO BE MOUNTED
IN THE HORIZONTAL PLANE.

(4) ALIGNMENT HOLES
MATCH 125/150 LB
ANSI FLANGE DRILLING



DETACHABLE

R11-3/4



XX =	MATERIALS OF CONSTRUCTION
BODY:	
DISC:	
SHAFT:	
BUSHING:	
PACKING:	
PACKING NUT:	
PIN:	

VALVE RELATED DIMENSIONS

SIZE	ASSEMBLY NUMBER	A	B	C	D	E
2	011-017-033-XX	2	3-7/8	5-3/8	1-1/2	3-7/8
2-1/2	011-027-033-XX	2-1/2	4-1/8	5-5/8	1-1/2	4-5/8
3	011-037-033-XX	3	4-3/8	5-7/8	1-1/2	5-1/8
4	011-047-033-XX	4	4-7/8	6-3/8	1-1/2	6-3/8
5	011-057-033-XX	5	5-3/8	6-7/8	1-1/2	7-1/2
6	011-067-033-XX	6	5-7/8	7-3/8	1-1/2	8-1/2
8	011-077-033-XX	8	7-3/4	9-5/8	1-7/8	10-3/4
10	011-087-033-XX	10	8-3/4	10-5/8	1-7/8	13
12	011-097-033-XX	12	9-3/4	11-5/8	1-7/8	15-1/4

ORDER RELATED INFORMATION

CUSTOMER NAME: _____
 P.O. NO.: _____
 PDC ORDER NO.: _____
 TAG: _____
 ASSEMBLY NO.: _____
 CERTIFIED BY: _____
 DATE: _____

REV.	RELEASED	NO.	7/17/03	DATE	SRT	BY	DIMENSIONS IN INCHES	SCALE: 1=4	DWG. NO.: 011-017-033-37	REV.
------	----------	-----	---------	------	-----	----	----------------------	------------	--------------------------	------

PDC
 Process Development & Control, Inc.
 Imperial, PA

DR:	SRT	DATE:	7/16/2003
CHK:		DATE:	
APPR:		DATE:	

MEDIUM DUTY SWING THRU BUTTERFLY VALVE WITH
 LOCK LEVER, HIGH TEMPERATURE HANDLE & CHAIN