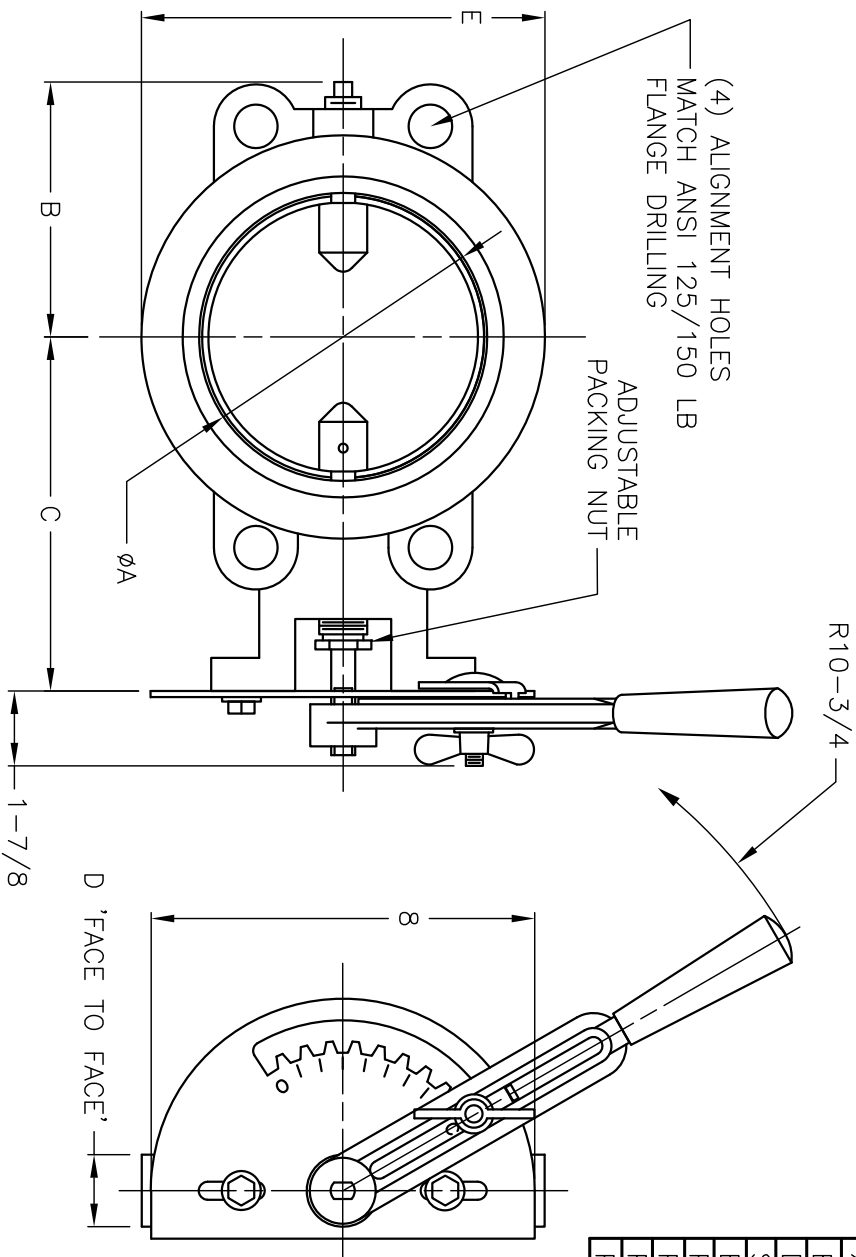


XX=	VALVE MATERIALS OF CONSTRUCTION
BODY:	
DISC:	
SHAFT:	
BUSHING:	
PACKING:	
PACKING NUT:	
PIN:	
PIPE PLUG:	



VALVE RELATED DIMENSIONS

ASSEMBLY NO.	SIZE (A)	B	C	D	E
091-017-000-XX	2	2-3/4	5-3/8	1-1/2	3-7/8
091-027-000-XX	2-1/2	3	5-5/8	1-1/2	4-5/8
091-037-000-XX	3	3-1/8	5-7/8	1-1/2	5-1/8
091-047-000-XX	4	4-1/4	6-3/8	1-1/2	6-3/8
091-057-000-XX	5	4-7/8	6-7/8	1-1/2	7-1/2
091-067-000-XX	6	5-3/8	7-3/8	1-1/2	8-1/2
081-077-000-XX	8(L)	6-1/2	8-3/8	1-1/2	10-3/4
091-077-000-XX	8	6-1/2	9-5/8	1-7/8	10-3/4
091-087-000-XX	10	8	10-5/8	1-7/8	13
091-097-000-XX	12	9-1/2	11-5/8	1-7/8	15-1/4

ORDER RELATED INFORMATION

CUSTOMER NAME: \_\_\_\_\_  
P.O. NO.: \_\_\_\_\_  
PDC ORDER NO.: \_\_\_\_\_  
ASSEMBLY NO.: \_\_\_\_\_  
TAG: \_\_\_\_\_  
CERTIFIED BY: \_\_\_\_\_  
DATE: \_\_\_\_\_

**PDC**  
Process Development & Control, Inc.  
Indlestown, PA

DR:	G. DUSOLD	DATE:	10-31-94
CHK:	RNK	DATE:	08-07-06
APPR:		DATE:	

SERIES 09 LOCKLEVER VALVE

DIMENSIONS IN INCHES

SCALE: 1/4 DWG. NO.: 091-007-000 REV. B

B	(3") E DIMENSION REVISED WAS 5-1/4	535	8/4/06	SRT
A	CHANGE # 256	256	10-31-94	GD
REV.	DESCRIPTION	NO.:	DATE	BY