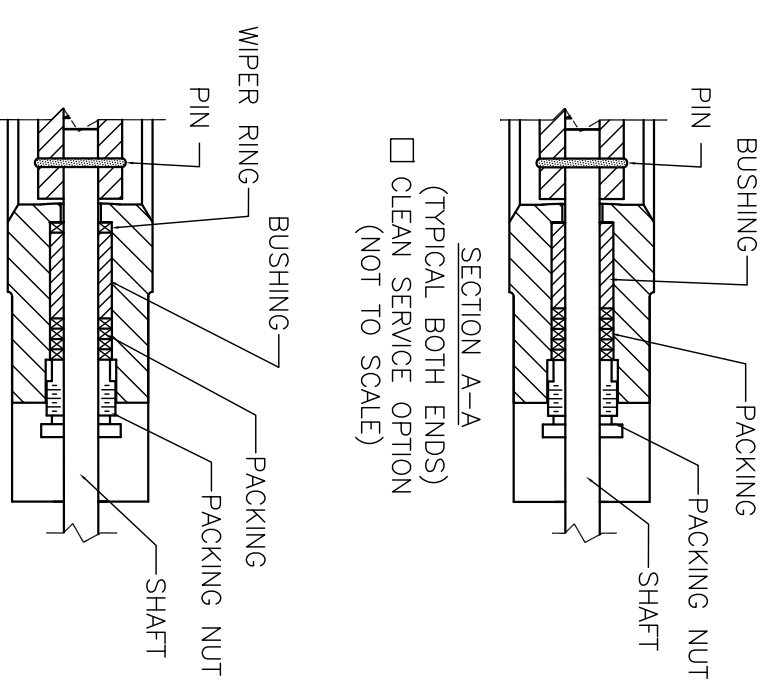
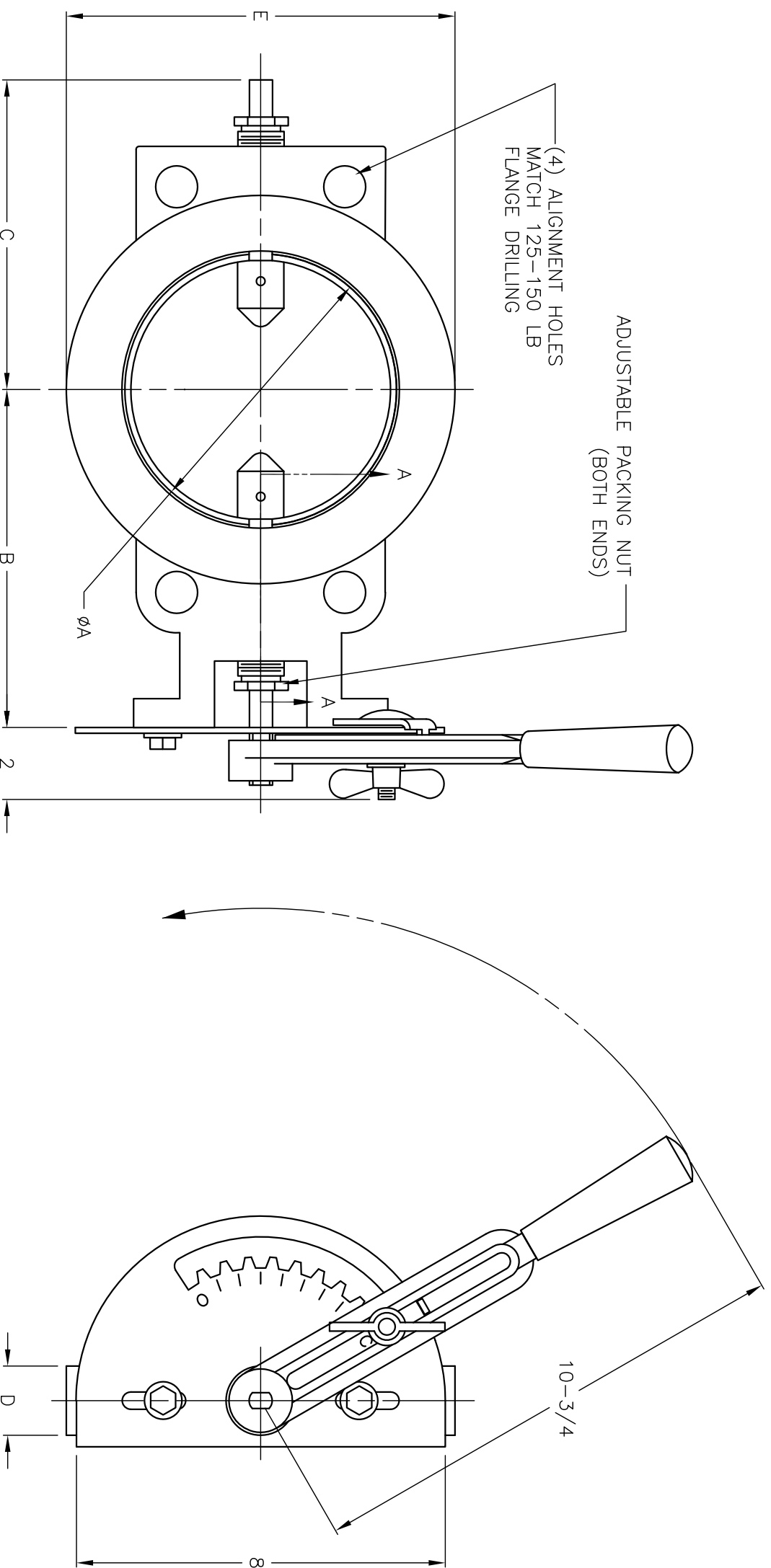


XX =	VALVE MATERIALS OF CONSTRUCTION
BODY:	
DISC:	
SHAFT:	
BUSHINGS:	
PACKING:	
PACKING NUTS:	
PINS:	



NOTE:  
 1. VALVE SHAFT TO BE MOUNTED IN THE HORIZONTAL PLANE.

ASSEMBLY NUMBER	A	B	C	D	E
401-017-000-XX	2	5-3/8	5-3/8	1-1/2	3-7/8
401-027-000-XX	2-1/2	5-5/8	5-5/8	1-1/2	4-5/8
401-037-000-XX	3	5-7/8	5-7/8	1-1/2	5-1/8
401-047-000-XX	4	6-3/8	6-3/8	1-1/2	6-3/8
401-057-000-XX	5	6-7/8	6-7/8	1-1/2	7-1/2
401-067-000-XX	6	7-3/8	7-3/8	1-1/2	8-1/2
401-077-000-XX	8	9-5/8	9-5/8	1-7/8	10-3/4
401-087-000-XX	10	10-5/8	10-5/8	1-7/8	13
401-097-000-XX	12	11-5/8	11-5/8	1-7/8	15-1/4

ORDER RELATED INFORMATION

CUSTOMER NAME: \_\_\_\_\_

P.O. NO.: \_\_\_\_\_

PDC ORDER NO.: \_\_\_\_\_

TAG: \_\_\_\_\_

ASSEMBLY NO.: \_\_\_\_\_

CERTIFIED BY: \_\_\_\_\_

DATE: \_\_\_\_\_

**PDCC**  
 Process Development & Control, Inc.  
 Imperial, PA

DR: SRB DATE: 03/17/98

CHK: RNK DATE: 03/18/98

APPR: \_\_\_\_\_ DATE: \_\_\_\_\_

EXCEL SERIES 40 SWING THRU BUTTERFLY VALVE WITH 10 POSITION / INFINITE LOCKLEVER

REV.	RELEASED	463	03/18/98	SRB
	DESCRIPTION	NO.	DATE	BY

DIMENSIONS IN INCHES

SCALE: 1/3 DWG. NO.: 401-017-000-97 REV.