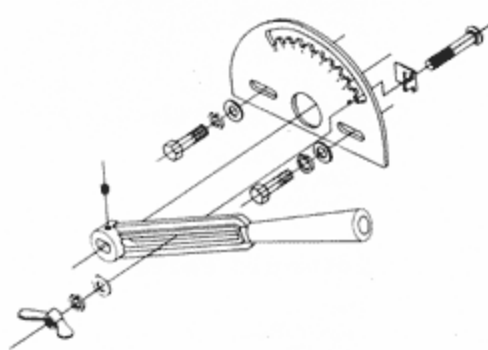


**Accessories:
Manual Positioning & Control**

PDC'S Combination 10 Position/Infinite Throttling & Locking Lever Assembly offers both types of the most commonly requested manual actuators in one unit.

The Lever may be positively locked in the opened, closed or any of eight intermediate positions by engaging the locking bolt in one of ten slotted sections of the indicating plate and securing the bolt.

For applications requiring finer control, the disc may be positioned at an infinite number of points from opened (90°) to closed (0°) by moving the lever along the slot in the indicating plate to the desired degree of opening and securing the friction lock.



PDC Automation Packages

Utilizing our universal system of brackets and linkages, PDC will furnish, mount and completely pipe a wide selection of actuators as well as other control accessories as required.

The list below indicates only the most frequently requested actuators and control accessories. PDC can furnish others if desired and specified by the customer.



Actuators

ADVANCE
ALECTO AUTOMATION
ANDCO
AUMA
AUTOMAX
BARBER COLMAN
BAY STATE
BECK
BELIMO
BELLOFRAM
BETTIS
BRAY
CASHCO
CENTERLINE
CHICAGO CYLINDER
CONOFLOW
CONTROMATICS
DELTROL
DEMCO
DYNATORQUE
EL-O-MATIC
FISHER

FLO-TORK
HILLS-McANNA
HONEYWELL
HYTORK
ITT GRINNEL
INVALCO
JAMESBURY
JOHNSON CONTROLS
JORDAN
K&M
KEYSTONE
KINETROL
KMC
K-TORQ
LEEDS & NORTHRUP
LIMITORQUE
MASTERGEAR
MASON EILAN
MATRYX
NELES JAMESBURY
NEPTRONICS

NORTH AMERICAN
OHIO OSCILLATOR
PARKER HANNIFEN
PAXTON
PENN CONTROLS
POWERS
RAMCON
RCS
REMOTE CONTROL
REXA
ROBERTSHAW
ROTORK
SHEFFER
SIEMENS
STAEFA
TRUTORQ
UNITORQ
VALVCON
WATTS
WESTRAN
WORCESTER

Positioners

ACCORD
BAILEY
BARBER COLMAN
BELLOFRAM
CONOFLOW
EL-O-MATIC
FISHER
HONEYWELL
HYTORK

ICOT
JAMESBURY
JOHNSON CONTROLS
KINETROL
LIMITORQUE
MASONEILAN
MOORE
MONITEUR
NEPTRONICS

POWERS
RAMCON
RCS
ROBERTSHAW
ROTORK
VALVCON
VCR
VRC
WATTS
WORCESTER

Limit Switches

ACCORD
ALLEN BRADLEY
GENERAL ELECTRIC
GO

MICRO SWITCH
MONITEUR
NAMCO
PROXIMITY

[PDC EXCEL](#)
STONEL
WESTLOCK

Solenoid Valves

ASCO
GOYEN
HONEYWELL

MAC
MAGNATROL
PARKER

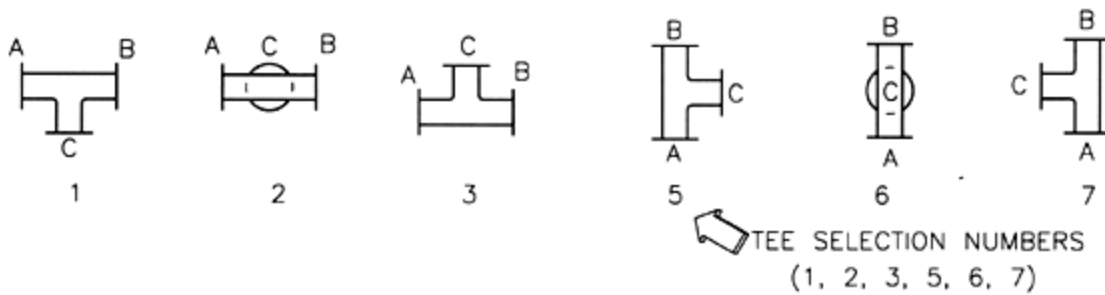
ROSS
SKINNER

**PDC 3-Way Assemblies
Metal or Rubber Seated
125/150 Lb. Flanging**



PDC's 3-Way Assemblies are shipped as a complete unit, assembled, mounted and tested, ready for field installation. Two valves are mounted on a 125 lb. cast iron tee; one valve complete with power actuator the second valve controlled through connecting slave linkage. The valves are normally linked so that as one valve opens the other valve closes. The tee arrangement desired should be specified by indicating the appropriate tee position (1 through 7 below), and the placement of both the power valve and slave valve respectively as on:

Plan View



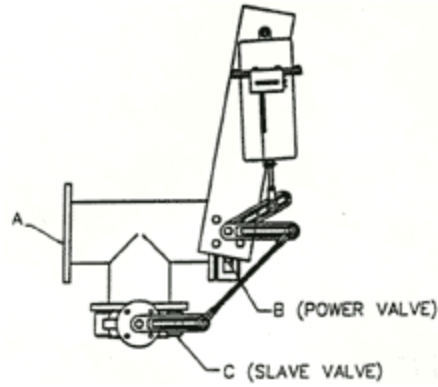
Selection Guidelines

1. Each port on tee is designated by A, B or C.
2. All tee arrangement numbers are based on plan view of the tee (i.e. looking down on tee and top of valve shaft as shown in example below).
3. Power valve (valve with actuator) is designated by the first letter after the tee selection number. Either A, B, or C.
4. All tee arrangements are based on the bracket for the power valve to be positioned at 12:00 o'clock in the plan view.

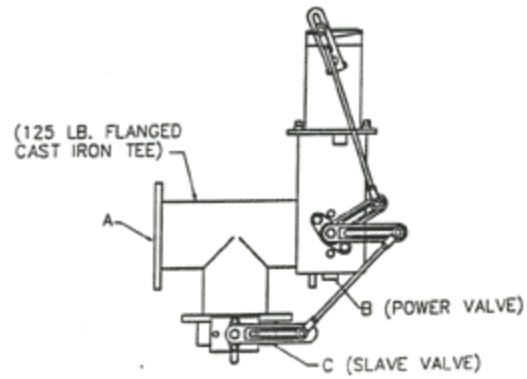
As an *example*, the plan views shown below are tee arrangement:

1. Tee Selection Number
- B. Power Valve
- C. Slave Valve

Plan View: Pneumatic

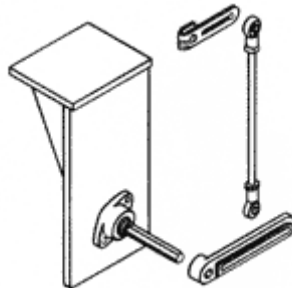


Plan View: Electric

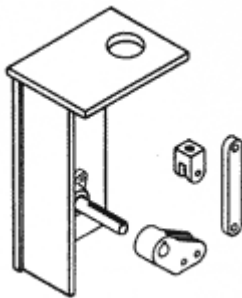


**Accessories:
PDC Universal Brackets & Linkages**

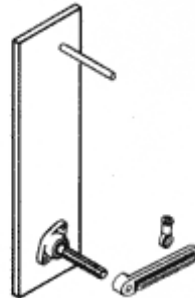
PDC offers a selection of "Universal" brackets and linkage with which any of the electric or pneumatic actuators in use today can be mounted to PDC Valves. The "Universal" features of design incorporated in our brackets and linkage, combined with a versatile selection of shaft end configurations, insure simple, precise, and economical mounting of actuators to PDC Valves, either at the factory or in the field.



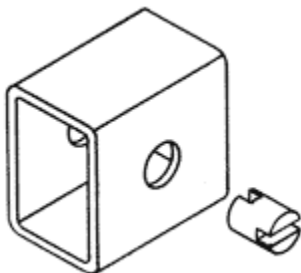
Type 1
Designed for mounting crank arm type electric actuators.



Type 2
Designed for nose mounting spring return diaphragm or cylinder style pneumatic actuators.



Type 3
Designed for pivot mounting damper piston or cylinder style actuators

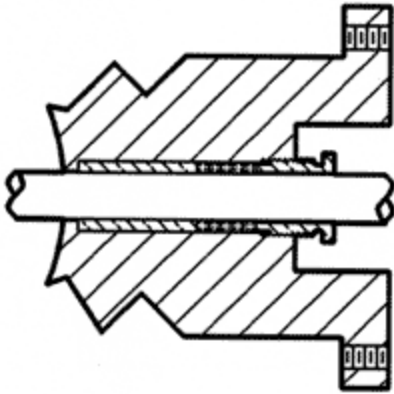


Type 4
Designed for mounting direct coupling electric or pneumatic actuators.



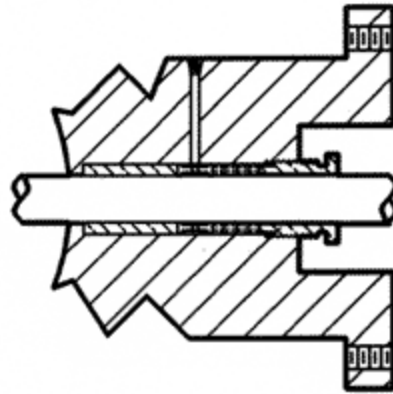
Type 5
Designed for mounting direct coupling actuators to direct fitting PDC shaft.

Types of Stuffing Boxes



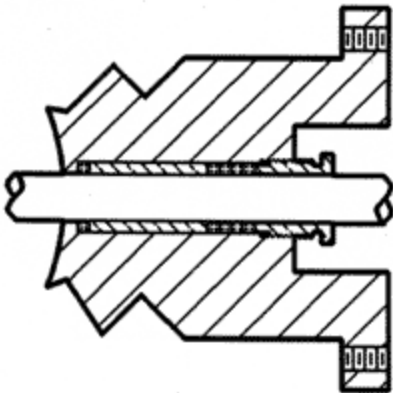
Standard

Suitable for most applications, this type is furnished as standard. Packing can be replaced without removal of the operator in most cases.



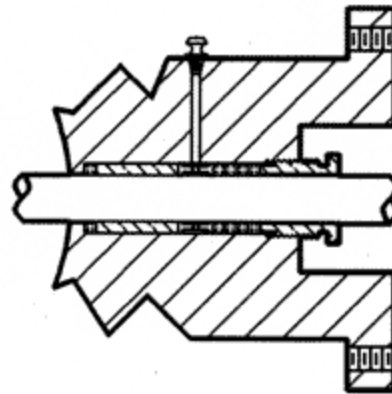
Purging Type

Lantern Gland and a pipe connection can provide purging of deposits around valve shaft. Recommended for valves handling fluids with entrained solids and where fluids condense or solidify with loss of temperature.



Dirty Service

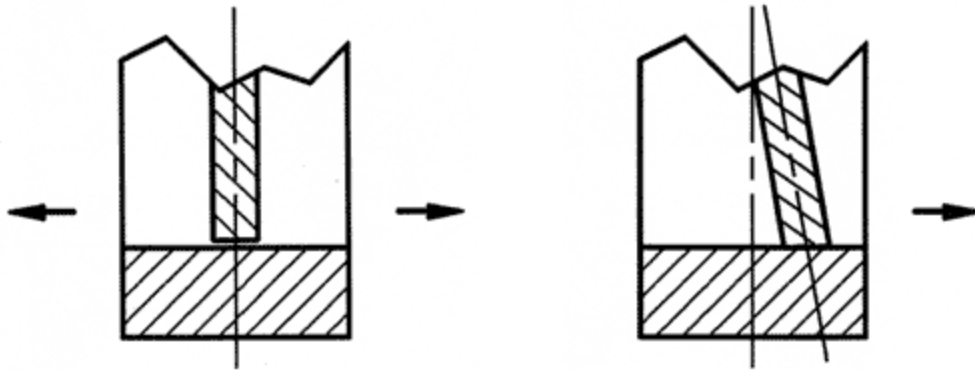
Similar to standard stuffing box but an addition of a wiper ring of packing before the inboard bushing to prevent contaminates from galling up surfaces between the bushing and the shaft.



Lubricating Type

When service requires additional lubricant, a lantern gland and a pipe connection can be furnished. Additional packing rings below gland prevent lubricant from entering the stream.

Seat Options

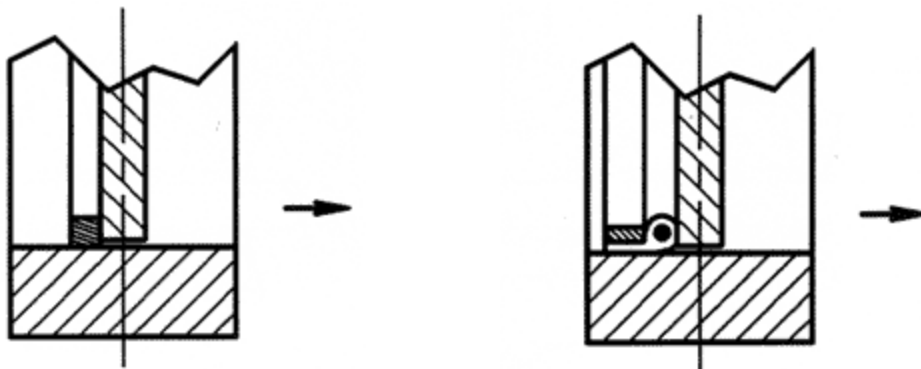


Swing Thru

Suitable for most applications, this type is furnished as standard. Good for clean or dirty service, any temperature range. Clearance depends upon temperature. (Available in all sizes.)

Angle

Clockwise to close is standard. Suitable for minimum leakage where service conditions are clean, and temperature is under 500°F, (Available up to 30 inch sizes.)



Metal Step

Clockwise to close is standard. Suitable for minimum leakage requirements above 500°F, provided service conditions are clean. (Available in all sizes.)

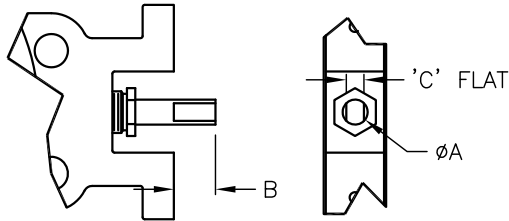
Tadpole Step

Clockwise to close is standard. Suitable for minimum leakage requirements up to 1200°F, depending on various materials available, and provided service conditions are clean. Slightly better shut-off than metal step seat. (Available in sizes starting at 6" and up.)

STANDARD SHAFT CONFIGURATIONS

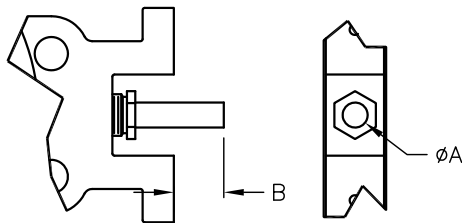
CONSULT FACTORY FOR CUSTOM OPTIONS

STANDARD FLAT SHAFT



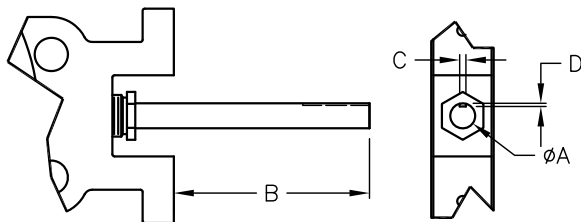
VALVE SIZE	A	B	C
2" – 8"(L)	.500	1.25	0.343
8" – 14"	.750	1.25	0.531
16" – 24"	1.000	1.25	0.625
26" – 30"	1.250	1.50	0.875
32" – 38"	1.500	1.75	1.125
40" – 48"	1.750	2.00	1.250
50" – 58"	2.000	2.50	1.375
60"	2.250	3.00	1.625

STANDARD ROUND SHAFT



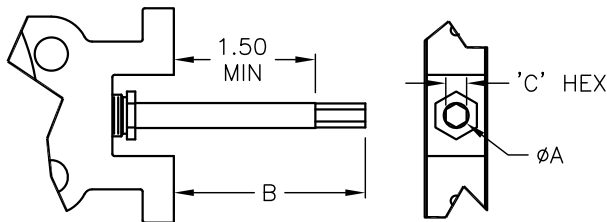
VALVE SIZE	A	B
2" – 8"(L)	.500	1.50
8" – 14"	.750	1.50
16" – 24"	1.000	3.00
26" – 30"	1.250	3.00
32" – 38"	1.500	3.00
40" – 48"	1.750	3.00
50" – 58"	2.000	3.00
60"	2.250	3.00

STANDARD KEYED SHAFT



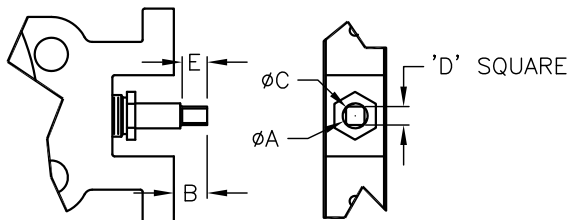
VALVE SIZE	A	B	C	D
2" – 8"(L)	.500	5.88	0.125	0.063
8" – 14"	.750	6.00	0.188	0.094
16" – 24"	1.000	6.13	0.250	0.125
26" – 30"	1.250	6.50	0.313	0.157
32" – 38"	1.500	6.50	0.375	0.188
40" – 48"	1.750	6.50	0.375	0.188
50" – 58"	2.000	6.50	0.500	0.250
60"	2.250	6.50	0.500	0.250

STANDARD HEX SHAFT





















VALVE SIZE	A	B	C
2" – 3"	.500	5.13	0.406
4" – 8"(L)	.500	5.25	0.406
8" – 14"	.750	2.75	0.625
16" – 24"	1.000	5.75	0.750

STANDARD SQUARE SHAFT



VALVE SIZE	A	B	C	D	E
2" – 8"(L)	.500	1.00	0.469	0.354	0.75
8" – 14"	.750	1.00	0.700	0.551	0.75
16" – 24"	1.000	1.13	0.850	0.669	0.88

	Process or Line Temperature									
	Up to 250° F	450° F	500° F	600° F	650° F	700° F	800° F	900° F	1000° F	1200° F
Bushing										
Bronze										
Graphited Bronze										
Glass Filled TEFLON®										
Metcar										

	Process or Line Temperature									
	Up to 250° F	450° F	500° F	600° F	650° F	700° F	800° F	900° F	1000° F	1200° F
Packing Nuts										
Brass										
316 Stainless Steel	