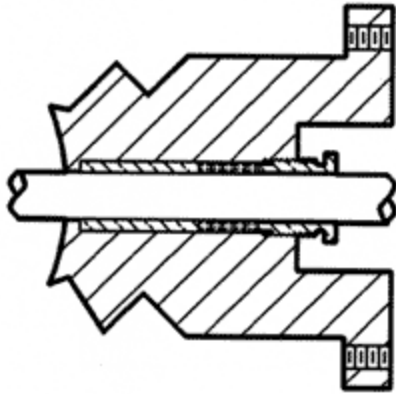
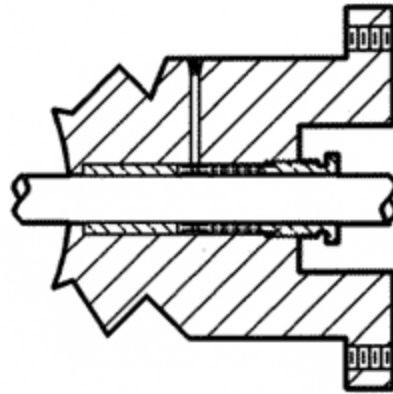


Types of Stuffing Boxes



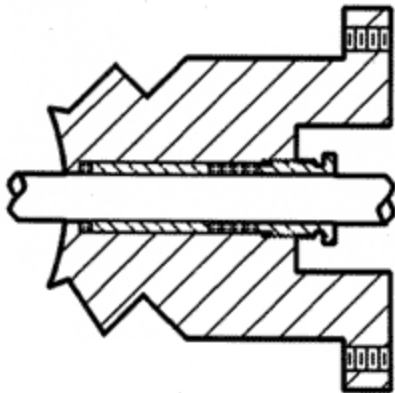
Standard

Suitable for most applications, this type is furnished as standard. Packing can be replaced without removal of the operator in most cases.



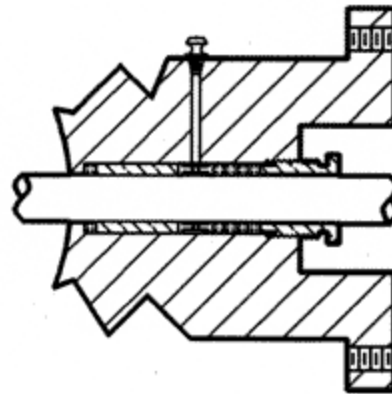
Purging Type

Lantern Gland and a pipe connection can provide purging of deposits around valve shaft. Recommended for valves handling fluids with entrained solids and where fluids condense or solidify with loss of temperature.



Dirty Service

Similar to standard stuffing box but an addition of a wiper ring of packing before the inboard bushing to prevent contaminates from galling up surfaces between the bushing and the shaft.



Lubricating Type

When service requires additional lubricant, a lantern gland and a pipe connection can be furnished. Additional packing rings below gland prevent lubricant from entering the stream.