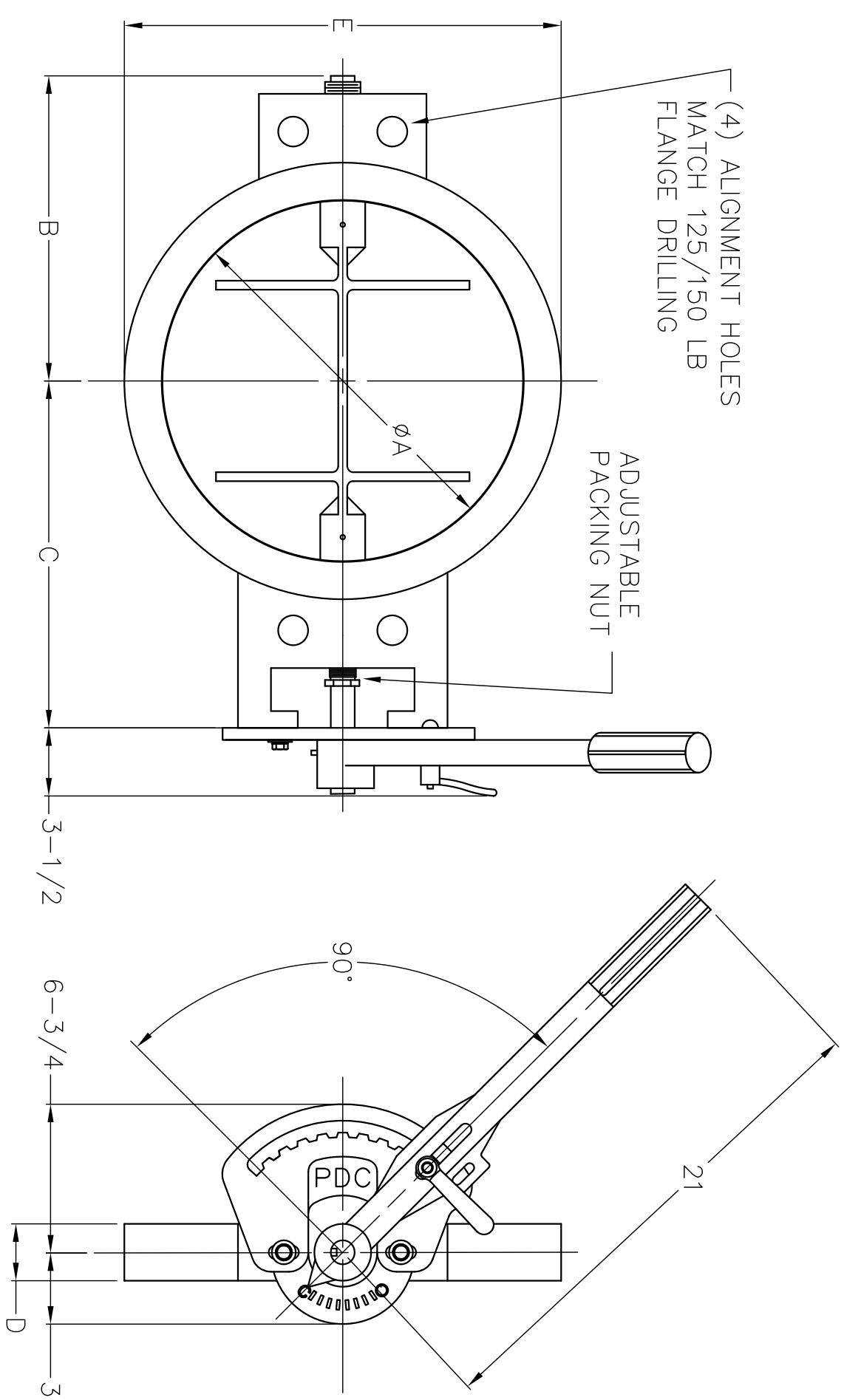


XX=	VALVE MATERIALS OF CONSTRUCTION
BODY:	
DISC:	
SHAFT:	
BUSHING:	
PACKING:	
PACKING NUT:	
PIN:	



VALVE RELATED DIMENSIONS

SIZE	ASSEMBLY NO.	A	B	C	D	E
14	011-107-050-XX	13-1/8	11-3/8	12-1/8	1-7/8	16-3/8
16	011-117-050-XX	15-1/8	12-3/4	14-1/2	2-3/8	18-1/4
18	011-127-050-XX	17-1/8	13-7/8	15-1/2	2-3/8	20-3/4
20	011-137-050-XX	19-1/8	14-7/8	16-1/2	2-3/8	22-3/4
22	011-147-050-XX	21-1/8	16-1/2	17-1/2	2-3/8	25
24	011-157-050-XX	23-1/8	17-1/4	18-1/2	2-3/8	27

NOTE:
1. VALVE SHAFT TO BE MOUNTED IN THE HORIZONTAL POSITION.

REV.	DESCRIPTION	NO.	DATE	BY
C	ADDED MATERIALS BOX	505	1/26/01	SRT
B	REDRAWN ON CAD	421	7/22/97	SRB

DIMENSIONS IN INCHES

ORDER RELATED INFORMATION

CUSTOMER NAME: _____

P.O. NO.: _____

PDC ORDER NO.: _____

TAG: _____

ASSEMBLY NO.: _____

CERTIFIED BY: _____

DATE: _____

PDC
Process Development & Control, Inc.
Imperial, PA

DR:	SRB	DATE:	07/22/97
CHK:	RNK	DATE:	01/31/01
APPR:		DATE:	

MEDIUM DUTY SWING THRU BUTTERFLY VALVE WITH COMBINATION 10 & INFINITE POSITION LOCK LEVER

SCALE: 1=6 DWG. NO.: 011-007-050-00 REV. C