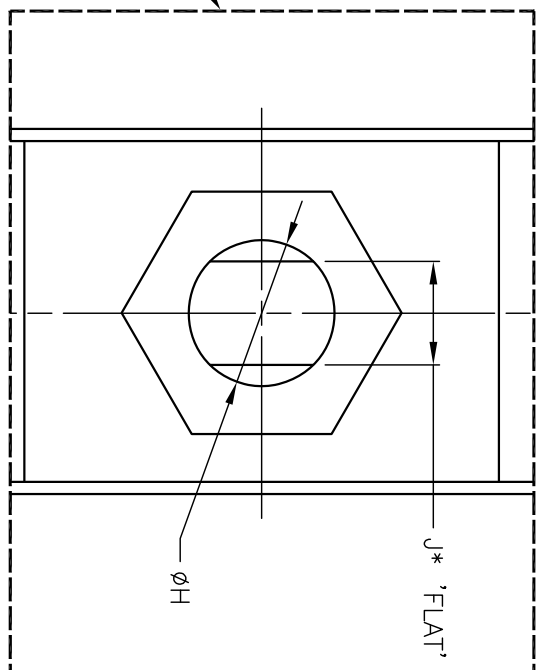


(4) ALIGNMENT HOLES  
MATCH ANSI 125-150 LB  
FLANGE DRILLING

ADJUSTABLE  
PACKING NUT

2 HOLES  
.375-16 UNC  
THRU



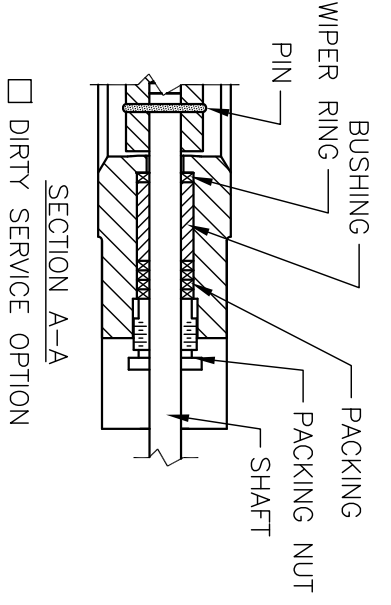
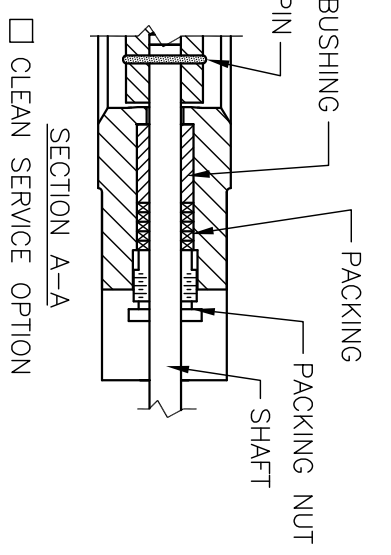
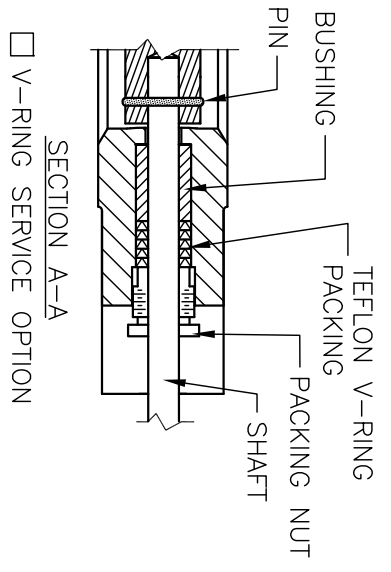
XXX =	MATERIALS OF CONSTRUCTION
BODY:	
DISC:	
SHAFT:	
BUSHING:	
PACKING:	
PACKING NUT:	
PIN:	

SIZE	ASSEMBLY NO.	VALVE DIMENSIONS										STANDARD SHAFT FLAT G* J*
		A	B	C	D	E	F	H	J*			
2	011-019-XXX	2.00	3.88	5.38	1.50	3.88	4.25	.500	1.25	.344		
2-1/2	011-029-XXX	2.50	4.13	5.63	1.50	4.63	4.25	.500	1.25	.344		
3	011-039-XXX	3.00	4.38	5.88	1.50	5.13	4.25	.500	1.25	.344		
4	011-049-XXX	4.00	4.88	6.38	1.50	6.38	4.25	.500	1.25	.344		
5	011-059-XXX	5.00	5.38	6.88	1.50	7.50	4.25	.500	1.25	.344		
6	011-069-XXX	6.00	5.88	7.38	1.50	8.50	4.25	.500	1.25	.344		
8	011-079-XXX	8.00	7.75	9.63	1.88	10.75	5.13	.750	1.25	.531		
10	011-089-XXX	10.00	8.75	10.63	1.88	13.00	5.13	.750	1.25	.531		
12	011-099-XXX	12.00	9.75	11.63	1.88	15.25	5.13	.750	1.25	.531		
14	011-109-XXX	13.13	10.50	12.13	1.88	16.38	5.13	.750	1.25	.531		

\* LENGTH AND FLAT MAY BE VARIED TO MATCH ACTUATOR AND BRACKET REQUIREMENTS.  
IF "G" AND "J" DIMENSIONS VARIES FROM TABLED STANDARD CONSTRUCTION,

ASSEMBLY NUMBER= G= J=

NOTES:  
1. VALVE SHAFTS TO BE MOUNTED IN THE HORIZONTAL PLANE.



ORDER RELATED INFORMATION  
 CUSTOMER NAME: \_\_\_\_\_  
 P.O. NO.: \_\_\_\_\_  
 PDC ORDER NO.: \_\_\_\_\_  
 TAG: \_\_\_\_\_  
 ASSEMBLY NO.: \_\_\_\_\_  
 CERTIFIED BY: \_\_\_\_\_  
 DATE: \_\_\_\_\_

**PDCC**  
 Process Development & Control, Inc.  
 Imperial, PA

DR:	SRT	DATE:	2/27/2004
CHK:	RNK	DATE:	3/1/2004
APPR:		DATE:	

MEDIUM DUTY SERIES 01 SWING THRU  
 BUTTERFLY VALVE WITH FLATTED POWER END SHAFT

REV:	A	REDRAWN ON CAD	NO.	529	DATE	2/27/04	BY	SRT
		DESCRIPTION						

DIMENSIONS IN INCHES	SCALE:	1=5	DWG. No.:	011-019-002	REV.	A
----------------------	--------	-----	-----------	-------------	------	---