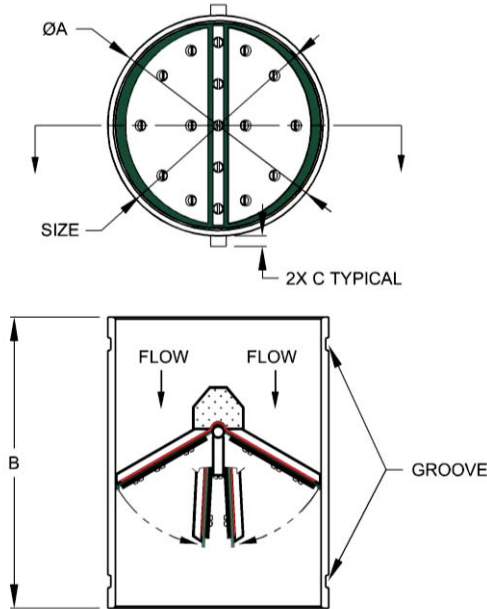




The Anti-Fatigue
Elastomer Hinged Check Valve



SERIES 831

ElastoTITE™ GROOVED END ELASTOMER HINGED CHECK VALVE

Valve Size	XXX=	A	B	C
1	001	1.32	5.75	0.16
1-1/4	125	1.66	5.75	0.16
1-1/2	150	1.90	5.75	0.16
2	002	2.38	5.75	0.16
2-1/2	250	2.88	5.75	0.25
3	003	3.50	5.75	0.25
4	004	4.50	6.75	0.25
5	005	5.56	7.75	0.35
6	006	6.63	8.75	0.34
8	008	8.63	10.75	0.41
10	010	10.75	12.75	0.56
12	012	12.75	14.75	0.56

If your application requires different size and material configurations, please contact the factory for assistance with your special requirements.

Body Materials
Carbon Steel
316 Stainless Steel
Internal Materials
Aluminum
316 Stainless Steel
Stainless Steel Spring Option

Sealing Member Materials	
Material	Temperature
Buna-N	-60 ° F to 225 ° F
EPDM	-40 ° F to 300 ° F
Silicone	-100 ° F to 500 ° F
Viton	-20 ° F to 400 ° F
Temperature ranges are for general guidance. Range may vary with application.	

GENERAL DIMENSIONS
(in inches)

A = Outside Diameter
B = Face-to-Face
C = Clearance

Standard Models & Materials				
Model	Body	Internals	Seal	Max. Working Pressure (PSI)*
831-XXX-CSAL-BN	Carbon Steel	Aluminum	Buna-N	150
831-XXX-CS6S-BN	Carbon Steel	316 Stainless Steel	Buna-N	150
831-XXX-6SAL-BN	316 Stainless Steel	Aluminum	Buna-N	150
831-XXX-6S6S-BN	316 Stainless Steel	316 Stainless Steel	Buna-N	150

Note: Process Development & Control's ElastoTITE Check Valves are designed to work without the assistance of a spring. A spring option is available.
XXX = SIZE (to be for all sizes)
*Cold Working Pressure (CWP) from -20 ° F to 100 ° F for 1" thru 12" valve sizes can be up to 200 PSI.

