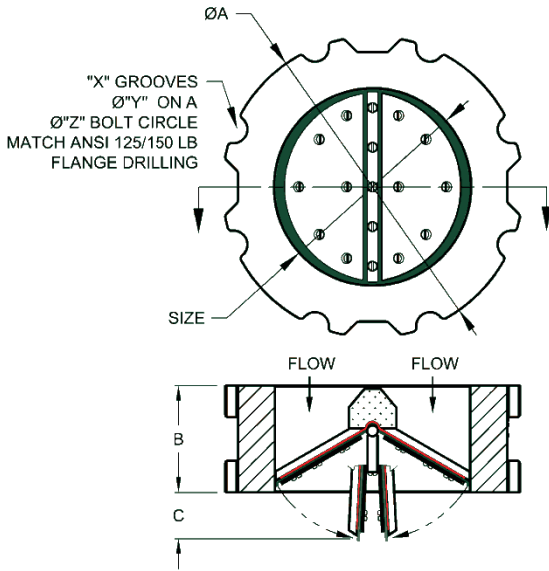




The Anti-Fatigue
Elastomer Hinged Check Valve



SERIES 871

ElastoTITE™ SHORT FORM WAFER ELASTOMER HINGED CHECK VALVE

Valve Size	XXX=	A	B	C	X	Y	Z
2	002	4.75	1.38	0.50	4	0.75	4.75
2-1/2	250	5.50	1.63	0.56	4	0.75	5.50
3	003	6.00	1.88	0.69	4	0.75	6.00
4	004	7.50	2.38	0.88	8	0.75	7.50
5	005	8.50	2.88	1.13	8	0.88	8.50
6	006	9.50	3.38	1.50	8	0.88	9.50
8	008	11.75	4.38	2.25	8	0.88	11.75
10	010	14.25	5.38	2.50	12	1.00	14.25
12	012	17.00	6.38	3.00	12	1.00	17.00
14	014	18.75	7.38	3.25	12	1.13	18.75
16	016	21.25	8.38	3.75	16	1.13	21.25
18	018	22.75	9.38	4.25	16	1.25	22.75
20	020	25.00	10.38	4.75	20	1.25	25.00
24	024	29.50	12.38	5.75	20	1.38	29.50

If your application requires different size and material configurations, Please contact the factory for assistance with your special requirements.

Body Materials
Cast Iron Flat Face (FF)
Carbon Steel Raised Face (RF)
316 Stainless Steel Raised Face (RF)
Internal Materials
Aluminum
316 Stainless Steel
Stainless Steel Spring Option

Sealing Member Materials	
Material	Temperature
Buna-N	-60 ° F to 225 ° F
EPDM	-40 ° F to 300 ° F
Silicone	-100 ° F to 500 ° F
Viton	-20 ° F to 400 ° F

Temperature ranges are for general guidance. Range may vary with application.

GENERAL DIMENSIONS (in inches)
A = Outside Diameter
B = Face-to-Face
C = Clearance
Alignment Grooves match 125/150 lb ANSI Flanges;
X number of $\varnothing Y$ Holes on a $\varnothing Z$ Bolt Circle

Standard Models & Materials				
Model	Body	Internals	Seal	Max. Working Pressure (PSI)*
871-XXX-CIAL-BN	Cast Iron (FF)	Aluminum	Buna-N	125
871-XXX-CI6S-BN	Cast Iron (FF)	316 Stainless Steel	Buna-N	125
871-XXX-CSAL-BN	Carbon Steel (RF)	Aluminum	Buna-N	150
871-XXX-CS6S-BN	Carbon Steel (RF)	316 Stainless Steel	Buna-N	150
871-XXX-6SAL-BN	316 Stainless Steel (RF)	Aluminum	Buna-N	150
871-XXX-6S6S-BN	316 Stainless Steel (RF)	316 Stainless Steel	Buna-N	150

Note: Process Development & Control's ElastoTITE Check Valves are designed to work without the assistance of a spring. A spring option is available.

XXX = SIZE (to be for all sizes)

*Cold Working Pressure (CWP) from -20 ° F to 100 ° F for 2" thru 14" valve sizes can be up to 200 PSI. Valve sizes 16" and larger CWP is 150 PSI.

